

MEDACT-H 3.400.1

Technical parameters:

Stroke 400 ±1.5 mm

Number of full control lever swings to reach a full stroke 16+2

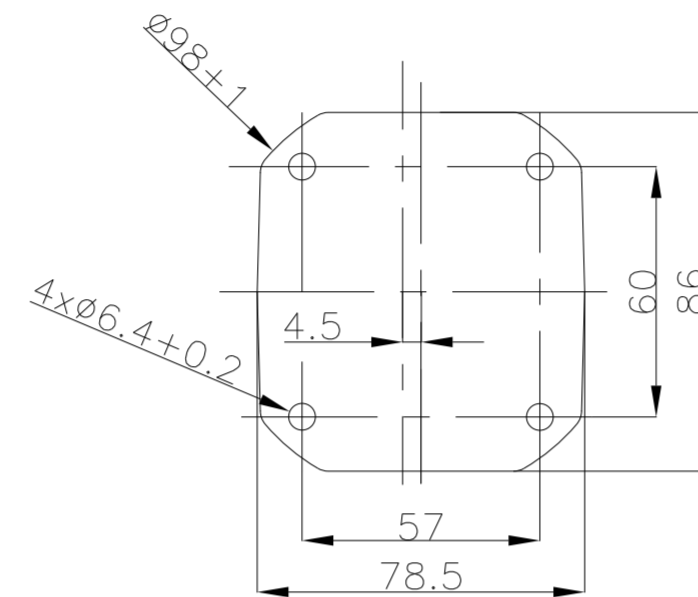
Maximum torque on lever 72 Nm

Slide-in speed at 13 kg load 7 to 9 seconds

Maximum loading force 2000 N

0.4 litre hydraulic mineral oil filling

Weight 4.5 kg



U Rybníka 17
586 01 Jihlava
Company ID Number 269 02 290
VAT No. CZ269 02 290
Contact: 736 626 023

